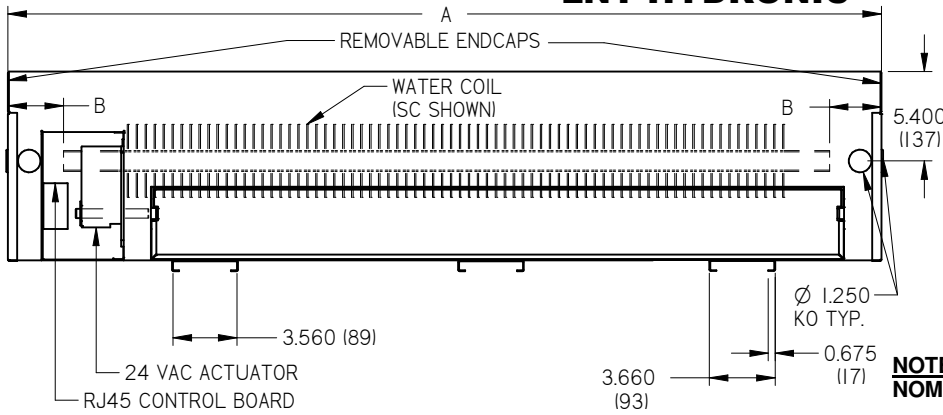


LNT HYDRONIC

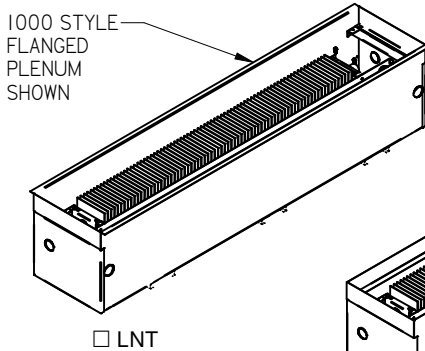


ROUGH OPENING NOM L X W	LENGTH A	AIR VALVE SIZE
48 X 10 (1219 X 254)	47 3/8 (1216)	200, 300, 400 CFM
72 X 10 (1829 X 254)	71 3/8 (1826)	200, 300, 400, 600 CFM
96 X 10 (2438 X 254)	95 3/8 (2435)	400, 600, 800 CFM

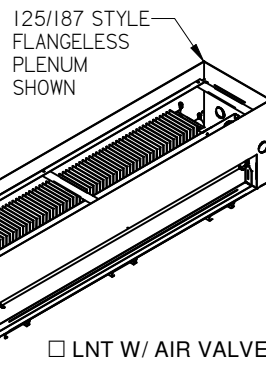
COIL TYPE	GAP B
SC	2 15/16 (75)
SC W/ MPT	2 1/16 (52)
HC	3 1/16 (78)
HC W/ MPT	2 3/16 (56)

**NOTE: LFG MUST BE ORDERED SEPARATELY
NOMINAL GRILLE SIZE = L-0.250"(6) X 9.750"(248)**

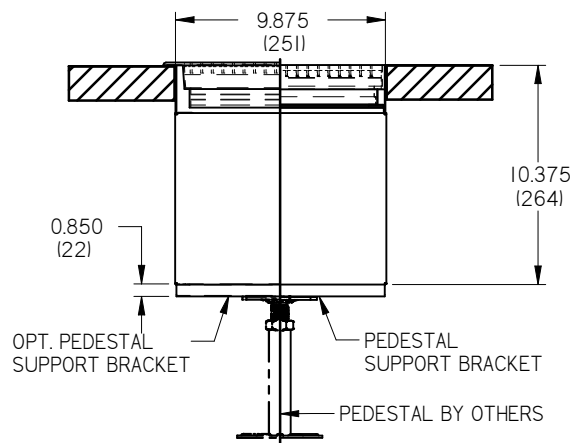
- 1000 STYLE
- 125/187 STYLE



LNT

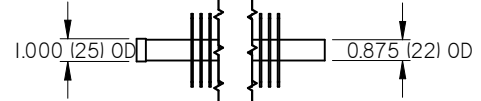


LNT W/ AIR VALVE

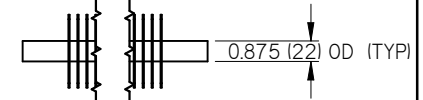


SC COIL CONNECTION TYPE:

- ONE END SWAGED (OTHER END STRAIGHT)



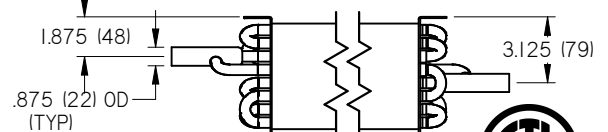
- 3/4" NOM DIA. STRAIGHT ENDS



- 3/4" NOM THREADED MPT CONNECTION

HC COIL CONNECTION TYPE:

- 3/4" NOM DIA. STRAIGHT ENDS



- 3/4" NOM THREADED MPT CONNECTION



Intertek

NOTE:

- LNT WITH LFG INSTALLED IS DESIGNED TO WITHSTAND LIGHT FOOT TRAFFIC
- PEDESTAL BRACKETS SUPPLIED & MOUNTED BY PRICE
- PEDESTAL & PEDESTAL HEAD SUPPLIED BY OTHERS
- 1" NOM. COIL CONNECTIONS
- 2.5" CIRCULAR OPENING ON SIDE CAPS FOR COILS WITH MPT CONNECTIONS
- FIN DENSITY: 4 FPI

PLENUM:

- 20 GAUGE STEEL CONSTRUCTION
- BLACK FINISH
- DROP-IN INSTALLATION FROM ABOVE FLOOR
- COMES WITH REMOVABLE ENDCAPS FOR CONTINUOUS & DISCRETE GRILLE INSTALLATIONS

DAMPER CONTROL:

- 24 VAC FLOATING POINT ACTUATOR
- RJ45 CONTROL BOARD WITH PLENUM RATED CONTROL CABLE

PEDESTAL BRACKETS OPTION (REQUIRED FOR PDS):

- PEDESTAL BRACKETS
 - 3 FOR 48X10 UNITS
 - 4 FOR 72X10 UNITS
 - 5 FOR 96X10 UNITS

ACOUSTIC LINER:

- 1/2" INTERNAL FIBER FREE LINER (3LB DENSITY MIN.)

CFLEX CONTROL CABLE (PURPLE):

- 15P - 15 FT. STRANDED
- 25P - 25 FT. STRANDED
- 35P - 35 FT. STRANDED

WATER COIL TYPE:

- HC - HIGH CAPACITY FIN PACK
- SC - STANDARD CAPACITY FIN TUBE

ALL METRIC DIMENSIONS () ARE SOFT CONVERTED. IMPERIAL DIMENSIONS ARE CONVERTED TO METRIC AND ROUNDED TO THE NEAREST MILLIMETER.

PROJECT:		PRICE
ENGINEER:		
CUSTOMER:		LNT
SUBMITTAL DATE:		LNT HYDRONIC
SPEC. SYMBOL:		271107
		2023/09/19